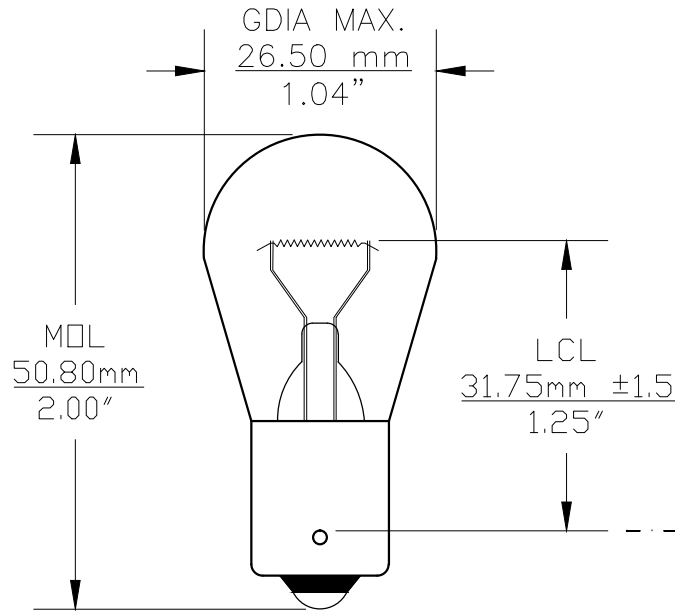


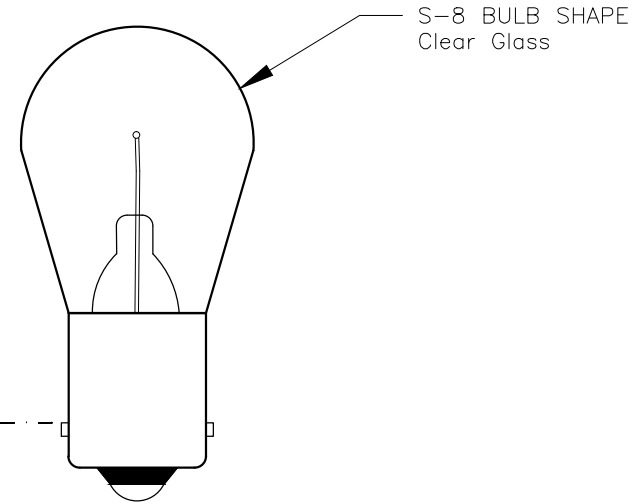


Since 1959

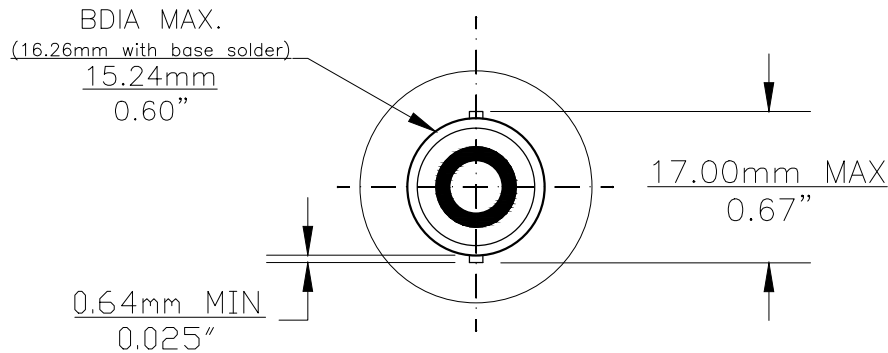
PART NO.	BASE TYPE	DESIGN VOLTS	DESIGN AMPS	MSCD	FILAMENT TYPE	AVERAGE LIFE HOURS	REVISIONS			
							REV #	DESCRIPTION	DATE	APPROVED
1295	S.C. Bayonet (BA15s)	12.5V	3±10%	50±15%	C-6	200	1	ISSUED	10/22/2014	R.M.
							2	UPDATED AMPS TOLERANCE TO 10% FROM 5%	3/31/2026	M.L.



0° VIEW



90° VIEW



Note: Made according to SAE specifications



UNLESS OTHERWISE SPECIFIED: DIMENSIONS ARE IN INCHES TOLERANCES		CEC INDUSTRIES LTD			
DECIMALS	ANGULAR	599 BOND STREET		LINCOLNSHIRE, IL 60069	
.XX ± .05	± 0.5°	TITLE LIGHT BULB NO. 1295			
.XXX ± .010		SIZE A	FSCM NO.	DWG NO. 1295	REV 2
FRACTIONAL	±1/64	SCALE	PLOT SCALE	SHEET 1 OF 1	
DRAWN ROSE MEDINA DATE 10/22/2014		FILE 1295.pdf		DRAWING NOT TO SCALE	